



E & I Corporation
Division of McNish Corporation

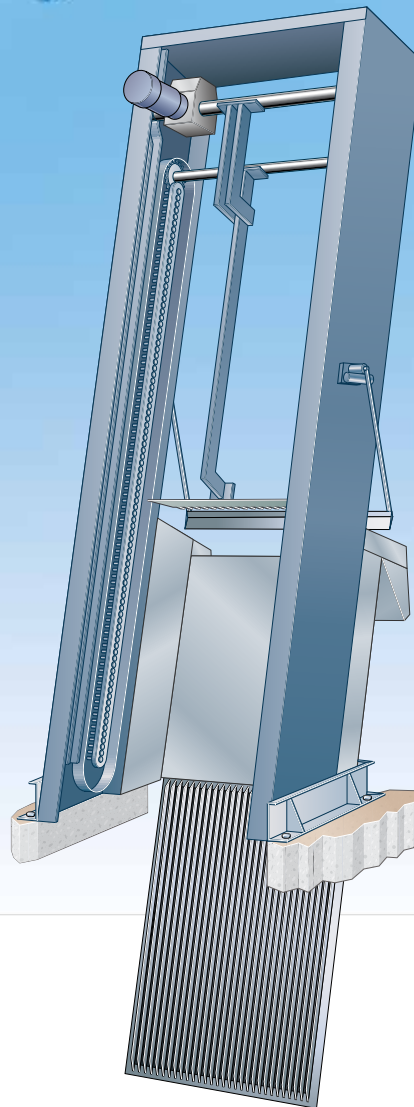
E & I Corp "Arm Screen"

The "ARM" screen is a state of the art single rake (arm) front cleaned front returned bar screen. The screen consists of a pair of side frames that enclose the precision built pin and rack mechanism. The combination of the pin and rack with the rake guides provides an efficient cleaning cycle.

Combined with the E & I Corporation "High Flow" trapezoidal bar, the screen offers increased cleaning efficiencies along with low headloss while protecting downstream equipment.

Accessories and options

- Compactors
- De-Watering conveyors
- Electronic level sensors
- PLC controlled operation
- Covers-
 - Fiberglass reinforced plastic
 - Stainless steel
- Structure (head)
- Dead plate, bar rack and main frame (304 or 316) Stainless steel
- Electronic vari-speed drive



Standard Features

Rack and Pin Operational System

- State of the art, high precision operational system offering low operating costs

"High Flow" Bar Rack

- Construction full channel width
- E & I "High Flow" trapezoidal bar
- Low head loss
- Ultra high efficiency
- Non clogging

Dead Plate

- Carbon steel

Rake

- Heavy structural members supporting the rake

Drive System

- High efficiency Helical gearing
- Computer designed
- New improved overload system, (no shear pins to replace)

Optional Features

Controls

Electronic Variable speed motor

E & I Corporation
Division of McNish Corporation

214 Hoff Road
Suite M
Westerville, Ohio 43082
614.899.2282 PH
614.899.0304 FAX



E & I Corporation

SCREENS

Catenary Bar Screen

Features-Catenary principle "No under-water bearings or sprockets," heavy duty, jam free, high capacity, multiple rakes

Models

- CBS-SM (shaft mount drive)
- CBS-CD (chain drive)
- CBS-CD-AE (auto entry)

Catenary Trash Rakes

Features- Catenary principle "No under-water bearings or sprockets", extra heavy duty, super capacity, jam free, multiple rakes

Models

- CTR-CD

Catenary "Compact II"

Features- Catenary principle "No under-water bearings or sprockets", compact version of the heavy duty CBS, complete with stainless steel and non-metallic components, low maintenance

Models

- CCBS II-CD

ARC

Features- single shaft, unitized construction, curved bar rack standard, low cost screen ideal for low flow applications

Models

- ARC-SM (shaft mount drive)

ARM (ascending rake mechanism)

Features-high capacity single arm design, easily maintained, adjustable speed for high volume conditions, maintained from operation floor

Models

- ARM
- ARM-VS (variable speed)
- ARM-CE (curved entry bar rack)

EIMT (front cleaned screen)

Features-state of the art front cleaned multi-rake screen, high volume capture, low head loss, stainless steel construction

Models

- EIMT

TRAVELING WATER SCREEN

Features- flow thru design, continuous baskets, heavy duty roller type main chain, drop in construction, balanced drive system

Models

- TWS

GRIT

Catenary Grit Collector

Heavy Media Collector

Features- Catenary principle "No under-water bearings or sprockets", heavy duty, high capacity, jam free, low maintenance

Models

- CGC
- CGC-A (aerated)
- CGC-AVC (aerated with velocity controlled baffle)

V-Bucket Grit Collector

Features-standard and high capacity buckets, optional stainless steel and fiberglass reinforced plastic construction,

Models

- VBG
- VBG-A (aerated)

Screw and Bucket Elevator

Features- standard capacity, steel and fiberglass reinforced plastic construction, ideal for low to moderate flows

Models

- SBE
- SBE-A (aerated)

Swirl Grit (Vortex Grit)

Features-high rate of grit removal, no bearings, sprockets or chain to wear, efficient low cost of grit removal, accessories include: air lifts, pumps, dewatering screw conveyors

Models

- SG-A (air lift)
- SG-P (pump)

Flocculators

Vertical and Horizontal

Features-computer designed for efficient mixing, carbon or stainless steel for shafting or structural members, nonmetallic bearing liners, treated bearing shafts, fiberglass reinforced plastic arms and baffles, chain or direct drive, "NSF-61 CERTIFIED" COATINGS

Models

- VF
- VF-VS (variable speed)
- VF-DD (direct drive)
- VF-CD (chain Drive)
- HF
- HF-VS (variable speed)
- HF-DD (direct drive)
- HF-CD (chain Drive)

COLLECTORS

Three and Four Shaft Rectangular

Features- "NSF-61 CERTIFIED" systems Complete line of metallic and non-metallic chain, sprockets, bearings, stub shafts, shafting, wear shoes and strips, return rails, corrosion free materials (UHMW-PE, Nylon, Polyurethane, and Polyethylene). All materials selected for long life and low maintenance

Models

- RC-3S "NSF-61"
- RC-4S "NSF-61"
- RC-3S
- RC-4S

SKIMMERS

Pipe

Features-Metallic and non-metallic wetted components, Teflon pipe/end plate super seals

Models

- PS-L (lever operated)
- PS-G (gear operated)
- PS-GL (gear less operated)

Helical

Features-Metallic or total fiberglass reinforced plastic, reels, beach plate and discharge trough, plastic drive components

Models

- HS-CS (carbon steel)
- HS-SS (stainless steel)
- HS-FRP (fiberglass reinforced plastic)

Division of McNish Corporation

2355 Hoff Road • Suite M • Westerville, OH 43082

PH 614-899-2282 • FAX 614-899-0304

WWW.EANDICORP.COM