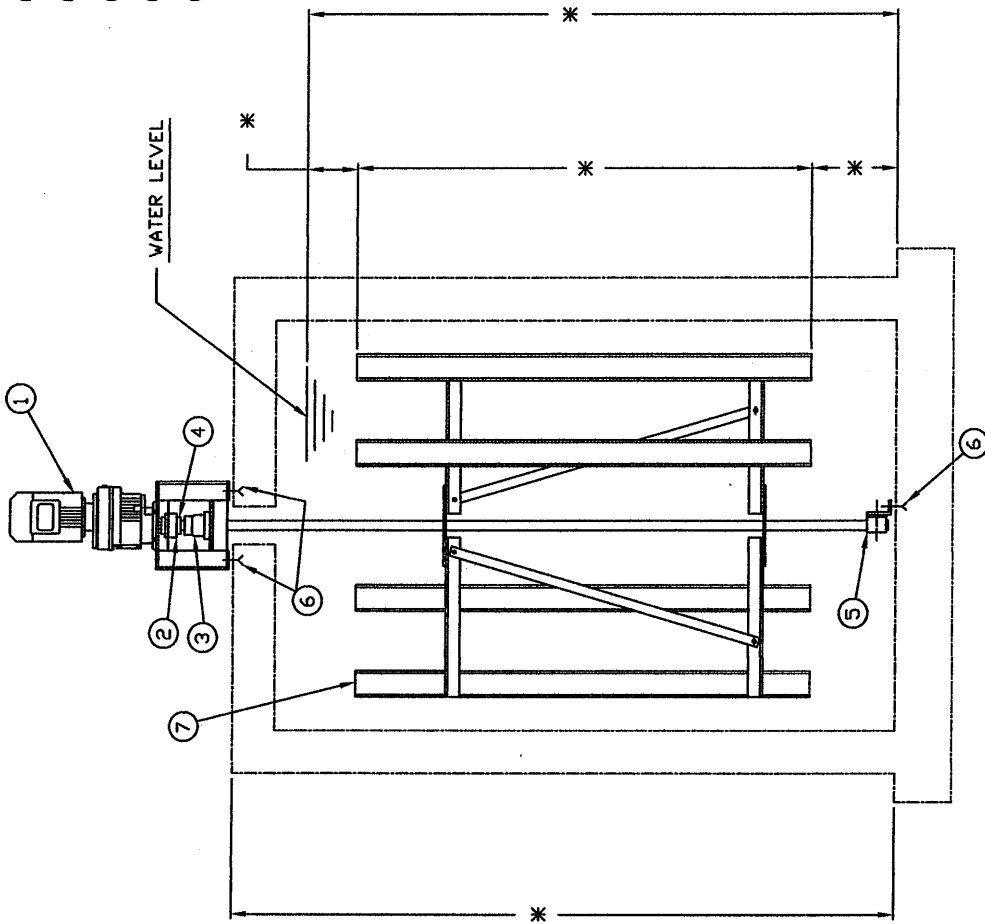
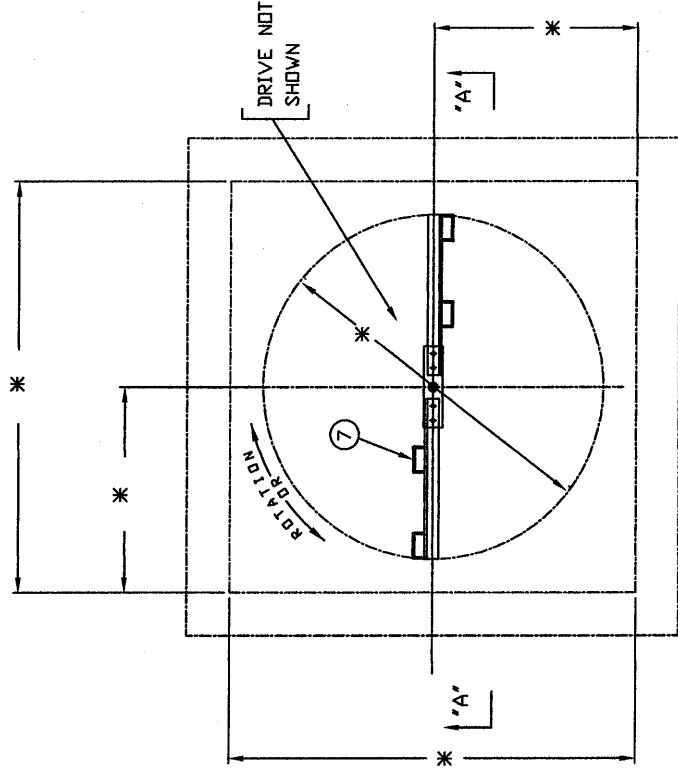


DESCRIPTION OF EQUIPMENT

- ① DRIVE UNIT, * HORSEPOWER
230/460 VOLT, 3 PHASE, 60 HZ.
- ② COUPLING
- ③ BEARING
- ④ SET COLLAR
- ⑤ BEARING BABBITTED
- ⑥ ANCHOR BOLTS
- ⑦ PADDLES



SECTION VIEW - "A-A"



PLAN VIEW

NOTE: DRAWING IS PRELIMINARY
DIM. NOTED WITH A * CAN BE
CHANGED TO SUIT DESIGN
REQUIREMENTS.

THIS DOCUMENT AND DRAWINGS, SPECIFICATIONS AND OTHER INFORMATION ARE THE PROPERTY OF E & J CORPORATION. IT IS TO BE USED ONLY FOR THE PROJECT AND SITE SPECIFICALLY IDENTIFIED HEREIN. IT IS NOT TO BE REPRODUCED, COPIED, OR TRANSMITTED IN ANY FORM OR BY ANY MEANS, ELECTRONIC OR MECHANICAL, INCLUDING PHOTOCOPYING, RECORDING, OR BY ANY INFORMATION STORAGE AND RETRIEVAL SYSTEM. WITHOUT THE WRITTEN PERMISSION OF E & J CORPORATION.

E & J CORPORATION
A Division of The McGraw-Hill Companies
COLUMBIA, MISSOURI 65201

EQUIPMENT: **CONSTANT SPEED VERTICAL FLOCCULATOR**

CUSTOMER: X

SCALE: X

DATE	BY	DATE	BY
X	X	X	X

PROJECT NO. 40054

REV. #	DATE	BY
X	X	X
X	X	X